



Proven Performance in
Extreme Conditions

DIRECT CONNECT

NEW INSTALLATION DRAINS



Your One Source
for All Commercial
Roofing Products



DRAINS • VENTS • ACCESSORIES • EQUIPMENT • PEDESTAL SUPPORTS

marathondrains.com | P 800.828.8424 | F 716.332.7676

ENPOCO-PAK

FEATURES:

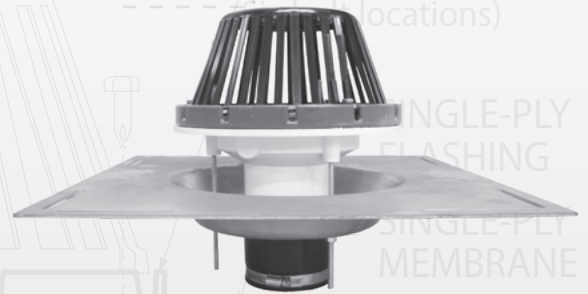
- NEW Body Design Includes:
 - Reinforced Gussets
 - Grooves Added to Create a Tighter Fit Between the Clamping Ring and the Drain Body
 - The Ability to Convert to an Overflow Drain by Inserting Schedule 40 PVC Pipe
- Molded Polyethylene Dome Strainer. Bolts Securely to Clamping Ring
- Injection Molded PVC Body. Ultraviolet Stabilized for Long Life. Solvent welds to PVC or DWV Pipe
- Epoxy Coated Aluminum Clamping Collar with Gravel Stop
- Grooved for Positive Drainage on Smooth Surfaced Roofs. Distortion resistant and Unbreakable
- Aluminum Underdeck Clamp Securely Fastens drain to the Deck
- Flexible Expansion Coupling Connects to PVC or Cast Iron Pipe
- Cast aluminum or Cast Iron Overflow Option Available
- Available in 3", 4" and 6"
- Available in Economy Version with Polyethylene Clamping Ring



WARNING
 Cancer and
 Reproductive Harm
www.P65Warnings.ca.gov

FAST-PAK

The NEW Fast Pak PVC or Fast Pak Cast Iron drain allows for quick and easy installation from the deck, eliminating the need for underside installation via the underdeck clamp. It is adaptable to most generic materials of single ply and conventional built-up roofing for use with roof decks of steel, wood, precast concrete or gypsum. This drain offers versatility and easy installation on new and existing roofs. Fast Pak PVC is available in sizes 2", 3" & 4" and the Fast Pak Cast Iron is available in sizes 3" & 4". Galvanized extension/bearing flange is 18" x 18"



CAST-PAK

MODEL RD - 1 CAST IRON DRAIN

FEATURES:

- Available in 3", 4", 6" & 8" Sizes.
- Molded Polyethylene Dome Strainer. Bolts Securely to Clamping Ring
- Epoxy Coated Cast Iron Body. No Hub Outlet
- Epoxy Coated Aluminum Clamping Ring with Gravel Stop. Grooved for Positive Drainage on Smooth Surfaced Roofs. Distortion Resistant & Unbreakable
- Aluminum Underdeck Clamp. Fastens Drain Securely to Deck
- Flexible Rubber Coupling. Connects to PVC or Cast Iron Pipe
- Overflow Option Available

Fastens Drain Securely to Deck Pipe



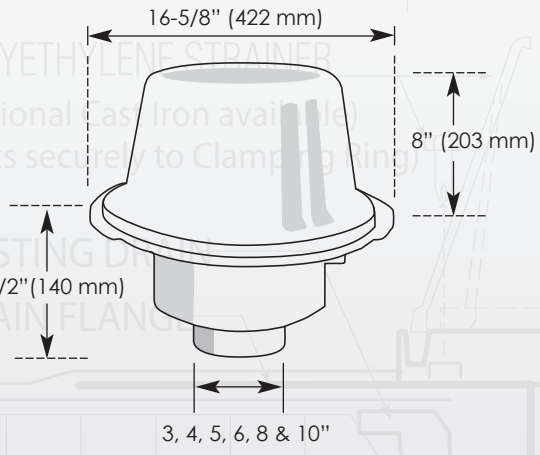
EXTRA LARGE BODY CAST IRON DRAINS



Standard Cast Iron
Extra Large Body
with Optional Cast
Iron Dome

FEATURES:

- Extra Large Cast Iron Body RD300 Available in Pipe Sizes of 3", 4", 5" 6", 8" & 10"
- Standard Self Locking Plastic or Optional Cast Iron or Aluminum Domes
- Comparable to the Most Common Extra Large Body Cast Iron Drains
- Optional Outlet Connections Available
- Ballast Guard Available in Many Sizes
- 4 Bolt Pattern Ring



EXTRA LARGE AREA OVERFLOW ROOF DRAIN RD300W

with Internal Standpipe

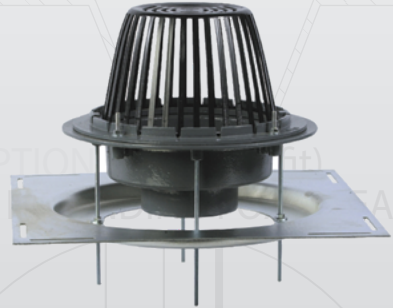
- Adjustable Internal Water Dam
- Self Locking Poly Dome
- Optional Push-on Outlet Shown



EXTRA LARGE AREA OVERFLOW ROOF DRAIN RD300R

with 2" External Water Dam Overflow

- Self Locking Poly Dome
- No Hub Outlet



EXTRA LARGE AREA DUAL OUTLET DRAIN W/ OVERFLOW RD700

Epoxy Coated Cast Iron Dual Outlet Roof Drain/Overflow Combination with Flashing Clamp, High Internal Overflow Standpipe, Secured Ductile Iron Dome, & No Hub Outlets.

SIDE OUTLET ROOF DRAINS

Horizontal Discharge Copper Drains to Route Water Laterally in Shallow Access Areas

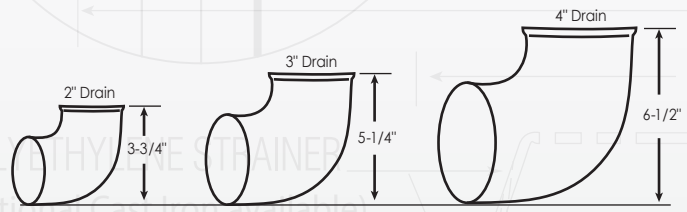
- Versatile, Economical, Designed to Accommodate Drainage in Spaces Where Normal Vertical Drainage is Impeded by Structural Limitations
- Available in 2", 3" & 4" Sizes of Copper 90° Outlet
- Horizontal Discharge Drains Adapt to All New & Re-Roofing Systems
- **Typical Accessories Available Include:**

Clamping Rings
Optional Metal Drain Guards
Flat Grate Inserts for Promenade Applications



ABOVE: 4" Century Outlet Drain with Clamping Ring & Cast Iron Dome

Minimum Vertical Space Required for Attachment of Horizontal Outlet:



3" Century Outlet Drain PVC Coated with Poly Dome



4" Century Economy Outlet Drain with 10" Poly Dome

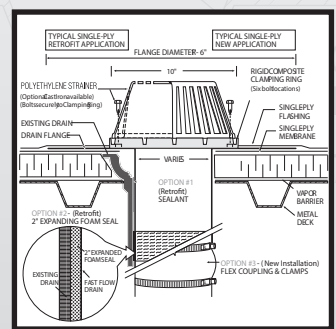
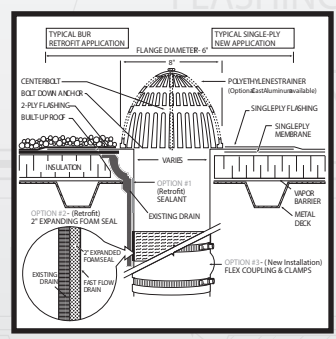


2" Promenade Style Deck Drain with Low Profile Grate

ALUMINUM FAST FLOW

FEATURES:

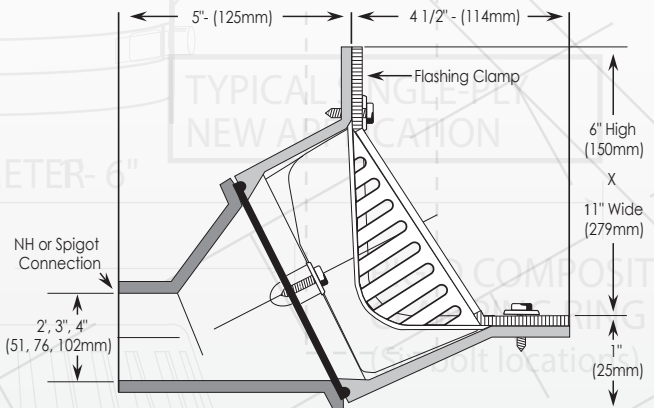
- New Clamping Ring Style for Single-Ply Systems
- Constructed of Heavy Gauge Spun Aluminum
- Available in Sizes 2", 3" & 4"
- Quick & Easy to Install & Maintain
- Bolt-in-Place PVC Strainer Dome Standard, Cast Iron or Aluminum Strainers Optional
- Efficient & Economical



PARAPET/SCUPPER RD-27 DRAINS - RD270

RD-27 Parapet (Scupper) Drain with Oven Cured Epoxy Coated Cast Iron Body, Flashing Clamp & Secured Epoxy Coated Angled Grate.

- Designed for Sidewall Roof Installation
- Durable Cast Iron
- Available in 2", 3", 4" & 6" Sizes
- Hub Connection is Reversible to Accommodate 45° or 90° Installation
- Angled Grate is Standard
Flat Grate is Optional
- Epoxy Paint is Standard
Nickel Bronze Finish is Optional



SMALL BODY CAST IRON DRAINS

Heavy Duty Construction to Withstand Climate & the Rigors of Long-Term Use

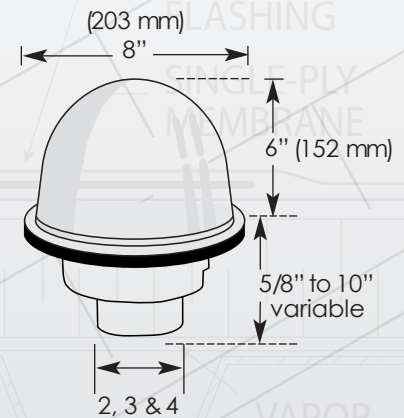
- Meets Standards for Small Body Application
Available with Optional PVC Body
- Standard Self Locking Plastic or Optional Cast Aluminum Domes
- Available in 2", 3", & 4" Pipe Sizes with No Hub Style, Threaded, Caulk or Push-On Pipe Connections
- Small Area Side Outlet



PVC Body Only



RD200 Standard Cast Iron Small Body with Optional Cast Aluminum Dome



SMALL BODY DUAL OVERFLOW PACKAGE RD260 with Overflow System

- Adjustable Internal Water Dam
- Epoxy Coated Dual Sump Receiver
- Self Locking Poly Domes



SMALL BODY ROOF DRAIN RD200R

- 2" External Overflow Ring/Dam
- Self Locking Poly Dome
- Optional Sump Receiver

"PREMIUM" CENTURY SERIES

FEATURES:

- Available in 2", 3" & 4" Sizes
- Clamping Ring Option for Single-Ply Roof Systems
- Constructed of Durable Quality Copper
- Adapts to All Types of Membranes & Roof Systems
- Provides Flexible Expansion Type Connections to Plumbing
- Positive Seal to Roof Membranes
- Quick & Easy to Install from the Roof Top
- Custom Fabrication Available for Non-Standard Applications

SPECIFICATIONS:

Flange: 18" (457 mm) Diameter 20 oz. Copper

Coating: Option - PVC and TPO Coated for direct hot air welding.

Clamping Ring: Recommended for PVC, EDPM and Hypalon & TPO

Strainer Dome: High Density Polyethylene, 10" Diameter (Optional Cast Iron Strainer Available)

Drain Connections: Straight or 90° Flexible Rubber Coupling for PVC/ABS, Cast Iron or Copper Pipe



CPS49 Century Premium
Straight with 3 Bolt



**PVC Coating
Only**



CPS49CR Century Premium
Straight with Clamping Ring

"ECONOMY" CENTURY SERIES

FEATURES:

- Available in 2", 3" & 4" Sizes

SPECIFICATIONS:

Flange: 14" Diameter 16 oz. Copper

Coating: Option - PVC and TPO Coated for direct hot air welding.

Clamping Ring: Recommended for Single Ply & TPO Membranes

Strainer Dome: High Density Polyethylene, 10" Diameter (Optional 10" Cast Iron Strainer Available)

Drain Connections: Straight or 90° Flexible Rubber Coupling for PVC/ABS, Cast Iron or Copper Pipe



**PVC Coating
Only**



CS49 Economy Straight
14" Flange, 10" Strainer



CS49CR(E) Economy
14" Flange,
10" Strainer & Clamping Ring

CAST IRON PROMENADE DRAINS



SMALL AREA ROOF DRAIN RD200CP
with 8" x 8" Promenade Top

- Available in 2', 3" & 4"
- Adjustable Height
- Epoxy Coating
- Same Drain Body Options as Cast Iron Small Body



LARGE AREA ROOF DRAIN RD100CP
with 12" x 12" Promenade Top

- Available in 2", 3", 4", 5" & 6"
- Adjustable Height
- Epoxy Coating
- Same Drain Body Options as Cast Iron Large Body

ONE PIECE CAST IRON DRAINS



RD280-SO

Cast Iron Roof Drain with Deck Flange, Drain Body, Flashing Clamp with Integral Gravel Guard, Self-Locking Cast Iron Dome & No Hub Outlet.



RD250

One Piece Combination Roof Drain & Secondary Overflow.



RD280

Cast Iron Drain with Deck Flange, Drain Body, Flashing Clamp with Integral Gravel Guard, Self-Locking Cast Iron Dome & No Hub Side Outlet.

CAST IRON DRAIN ACCESSORIES



BALCONY DRAIN RD240

- Adjustable Arched Bronze Dome
- Threaded Outlet
- Epoxy Coating
- Flat Style Grate Available
- Sizes 2", 3" & 4"



VENT CAP RD680

- Vandal Resistant
- Epoxy Coating
- Sizes 2", 3" & 4"



SIDE OUTLET BALCONY DRAIN RD230

- Adjustable Arched Bronze Dome
- Flashing Clamp
- Threaded Outlet
- Epoxy Coating
- Flat Style Grate Available
- Sizes 2", 3" & 4"



DOWNSPOUT NOZZLE RD940

- Nickel Bronze Downspout
- Sizes 2" - 12"
- Available in No Hub, Threaded & Push On

WARNING
Cancer and
Reproductive Harm
www.P65Warnings.ca.gov

DRAIN ACCESSORIES

STRAINERS

Roof Drain Strainers are available in many sizes in Plastic, Aluminum & Cast Iron.



RETROFIT RINGS & DOMES

Retrofit Rings & Domes available in Aluminum & Cast Iron to replace missing Strainers & Rings.

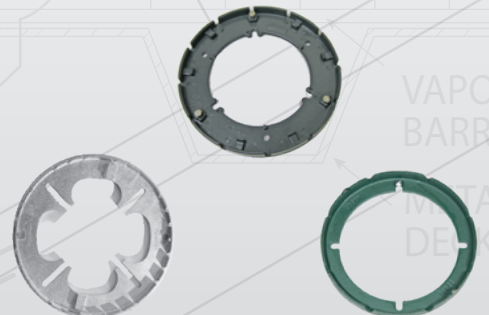


NEW ALUMINUM OVERFLOW RING



CLAMPING RINGS

Roof Drain Clamping Rings are available in many sizes.



RUBBER COUPLINGS

