



Proven Performance in
Extreme Conditions



RETROFIT DRAINS



Your One Source
for All Commercial
Roofing Products



marathondrains.com | P 800.828.8424 | F 716.332.7676

ALUMINATOR

- Innovative & Improved Dome & Ring Castings
- **NEW 2"** Overflow Clamping Ring as an Option
- Available in PVC & TPO Coated Flange
- Available with 22" Outlet
- Improved Packaging - Bulk or Individually Packed Options
- **NEW** Carton Design



NEW Carton Design



ProSeal Seal



NEW Aluminum 2" Overflow Ring

FEATURES

- All Aluminum Retrofit Drain with Aluminum Body
- Constructed of Heavy Duty Spun Aluminum for Quick & Easy Installation
- Heavy Duty Aluminum Ring that is 1-1/4" Tall 12 Scallops to Maximize Drainage
- Seep Holes on Bottom of Ring & Bolt in Place 3 Bolt Aluminum Strainer that is 10" Diameter x 6" Tall
- Available in Copper (Special Order Only)

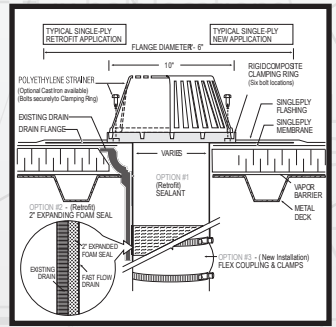
- Standard with ProSeal Rubber Seal
- Larger Stud Diameter for Increased Strength of Hardware
- Available in Sizes of 3", 4", 5" & 6"
- Includes Strong Mechanical Seal that Prevents Water Back-up Issues
- Flange Diameter 16"
- Drain Outlet Length 12"

WARNING
Cancer and Reproductive Harm
www.P65Warnings.ca.gov

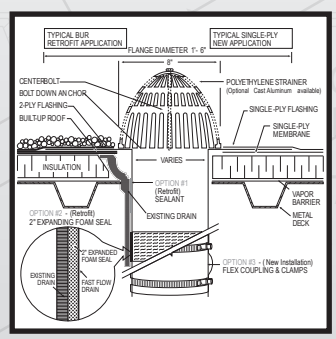
PVC Coating Only

ALUMINUM FAST FLOW

- Available in 2", 3", 4", 5", 6", 8" and Non-Standard Sizes
- New Clamping Ring Style for Single-Ply Systems
- Constructed of Heavy Gauge (.081) Spun Aluminum
- All Common Sizes Available for New & Retrofit Styles
- Quick & Easy to Install & Maintain
- Bolt-in-Place PVC Strainer Dome Standard, Cast Iron or Aluminum Strainers Optional
- Efficient & Economical
- Optional Anti-Backup Seals Available
- Optional Aluminum 2" Overflow Ring Available



Intimidator 8" Aluminum Retrofit Drain with Clamping Ring - Available with Optional Back-up Seal & Aluminum Ring & Dome.



ECONOMY ALUMINUM DRAIN

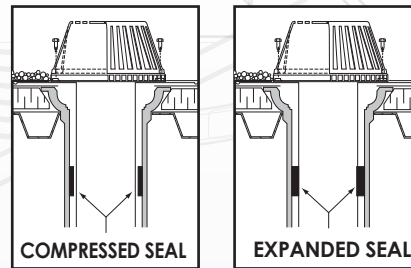


- Available in Sizes 2", 3", 4", 5" & 6"
- Constructed of Heavy Duty (.081) Spun Aluminum
- 12" Long Outlet & 16" Diameter Flange
- Bolt-in-Place 5" Aluminum Strainer

COPPER-TITE

- A Retro-Fit Insert Copper Drain
- Seals Securely within Existing Pipe
- Prevents Water Back-up Problems by Sealing Side Wall Gaps with Expandable Water Proof Tape
- Simple & Quick to Install, Just Peel Off Tape
- COPPER for Reliable Long Life
- TITE for Secure Waterproof Fit
- Fits Drains 2" (51mm) to 10" (203mm)
- Available in Premium 18" Flange Diameter with Clamping Ring
- Available in Premium 14" Flange Diameter with Clamping Ring.

COPPER-TITE sealant tape is designed to expand to approximately four times its compressed thickness. Just prior to inserting the COPPER-TITE drain the installer removes the exterior restraining tape and immediately sets the retro drain in place. The released tape gradually expands to fill the space between the COPPER-TITE drain and the existing drain sleeve making the connection watertight.



CTS 29 CR(E)

COPPER-TITE features a 2" (51mm) wide band of high density expanding foam tape impregnated with asphalt which is factory applied in a compressed state around the drain outlet.

COPPER-TITE sealant tape expands more slowly in cold temperatures. When heat is applied to the inside of the outlet the sealant tape expands more rapidly. Should the tape expand too much before inserting the COPPER-TITE drain, simply recompress the tape by hand and then insert the drain.



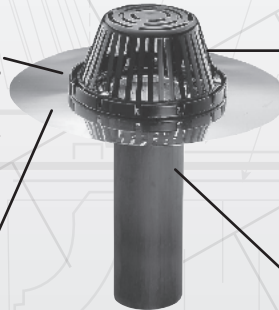
PROLINER STRAIGHT DRAIN WITH CLAMPING RING

Use applications where direct mechanical pressure is required by a clamping ring to provide additional bonding of membrane to drain and roof deck. Ring is made of Heavy Duty rigid material and secured in place by six bolts and nuts equally tightened to provide consistent pressure to secure the membrane.

Note: Clamping ring option is recommended for single ply systems.



CLAMPING RING
made of rigid material to provide consistent pressure; is recommended for single ply systems.



STRAINER 10" diameter; 3 bolt attachment; high density polyethylene standard; cast iron alloy optional.

FLANGE. 18" diameter 20oz. copper for graveled or smooth roofs. Choose drain flange surface options best suited for re-roof system being used; Asphalt PRIMED for BUR and Modified Bitumen. PLAIN for EDPM Rubber and Hypalon. PVC COATED for PVC and other thermoplastic systems. Clamping ring option is recommended for single ply systems.

Available in 2", 3", 4", 5", 6" and Non Standard Sizes

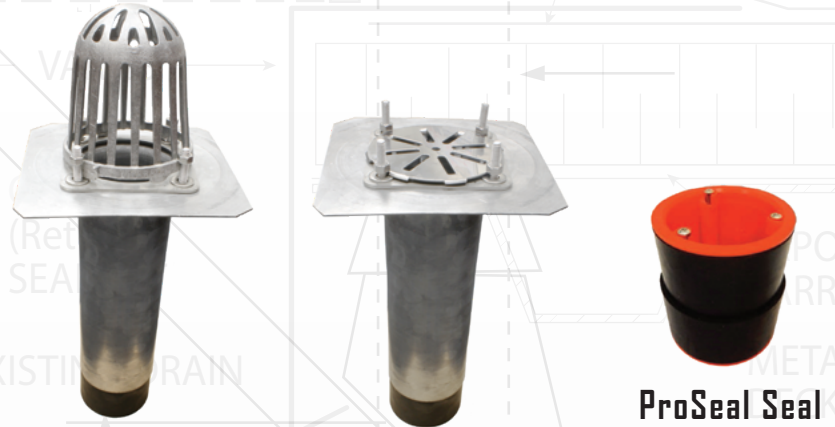
OUTLET, of malleable metal alloy fits inside cast iron, steel, PVC or copper existing drain pipe.

Outlet is designed to be expanded by the PROLINER EXPANDER TOOL to create mechanical, metal-to-metal seals, locking the Proliner into place with permanent watertight seals.

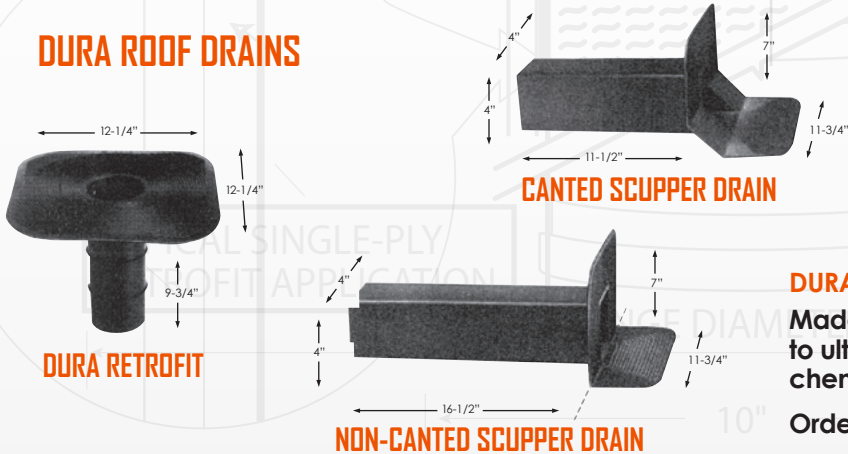


ALUMINUM GUTTER DRAINS

- Available in 3" and 4"
- Heavy Gauge Aluminum Body
- Stainless Steel Clamping Ring
- Stainless Steel Snap-on Grate
- Includes ProSeal for a Strong Mechanical Seal to Prevent Water Back-up Issues
- Available with 5" Aluminum Strainer
- Available with TPO or PVC Coating
- Available with Expanding Tape for Back-up Issues



DURA ROOF DRAINS



- Available in 2", 3", 4", 5" and 6"
- Dura Retrofit Drains
- Dura Scupper Drains
- Accessories
- Compatible with Bur, Modified, and Epdm

DURA RETROFIT ANTI-BACKUP ROOF DRAINS

Made of thermoplastic rubber, highly resistant to ultraviolet sunrays, and other atmospheric and chemical conditions.

Order basket strainer separately.

NEW PRO DOME

The top of the dome swings open by loosening one screw. This allows for quick and easy cleaning as well as additional security.



2.75" LOW PROFILE ALUMINUM STRAINER



PVC/TPO COATINGS

Our Aluminator Flange has the option to be PVC or TPO Coated for direct hot air welding of PVC and TPO type roofing membranes.

NEW 2" ALUMINUM OVERFLOW RING

Acts as both a clamping ring and overflow



PVC Coating Only