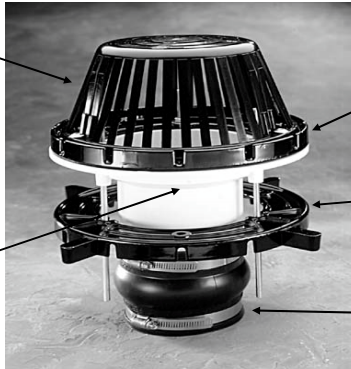


The Enpoco Pak PVC Roof Drain Kit provides the essential features of more expensive drains at an affordable price. It is adaptable to most generic materials of single ply and conventional built-up roofing for use with roof decks of steel, wood, precast, concrete or gypsum. This drain offers versatility and easy installation on new and existing roofs.

## Enpoco Pak PVC Roof Drain Kit Special Packaged Assembly

Molded polyethylene dome strainer. Bolts securely to clamping ring. 10" diameter for 2, 3 & 4" sizes. 12" diameter for 6". Also available in Cast Iron or Aluminum as an optional upgrade

Injection molded PVC body. Ultra violet stabilized for long life. Solvent welds to PVC DWV pipe



Metal clamping collar with gravel stop. Grooved for positive drainage on smooth surfaced roofs. Distortion resistant and unbreakable. 10" diameter for 2", 3" and 4" sizes. 12" diameter for 6".

Metal Underdeck clamp. Fastens drain securely to deck

Flexible rubber expansion coupling. Connects to PVC, ABS or Cast Iron Pipe

## ENPOCO PAK PVC ROOF DRAIN KIT INSTALLATION INSTRUCTIONS

### # 1 DRAIN SIZE

Determine Drain size required 2" 3", 4" or 6"

### # 2 INSTALL UNDERDECK CLAMP

The Underdeck Clamp securely fastens the drain body to the roof deck. The three threaded rods fasten to the down side of the drain body. The Underdeck Clamp fastens to the bottom of the threaded rods.

**Fast Pak:** Allows for quick and easy installation from the deck, eliminating the need for underside installation using the underdeck clamp. Available on 2", 3" and 4" only. Sold separately. Call for details.

### # 3 INSTALL FLEXIBLE RUBBER EXPANSION COUPLING

The Expansion coupling easily connects the new drain to the PVC or Cast Iron plumbing line that utilizes two stainless steel band clamps. **USE A MAXIMUM 60" LBS OF TORQUE TO TIGHTEN COUPLING BANDS.** Recommended to be used because of possible expansion and movement of roof system.

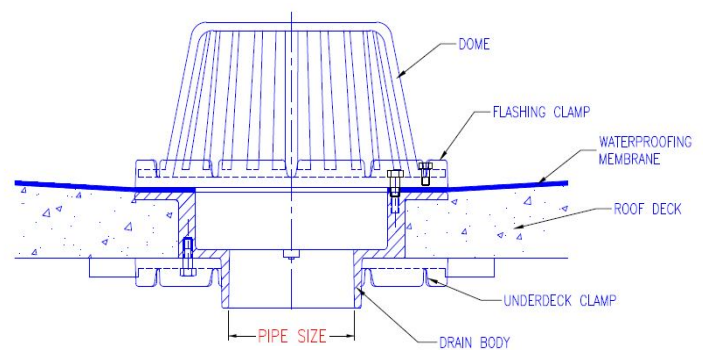
### # 4 INSTALL METAL CLAMPING RING

Depending on the roof system and application, the Clamping Ring/ Gravel Guard clamps and secures the roof membrane in place. Utilize a water block per Roof Manufacturer recommendations.

**\*\* Economy PVC Drain** supplied with ABS Clamping Ring - 2", 3" and 4" only.

**\*\* Overflow Option** - Install and glue PVC Pipe (usually 2" high - not supplied) to inside top of drain body to make as an overflow drain. Aluminum Overflow/Clamping Ring is another option available. 2", 3" and 4" only. Please call for details.

**SPECIAL NOTE:** Wet or damaged insulation with low compressive strength should be removed around drain flange seating area and replaced with insulation having a minimum compressive value of 25 psi. This rating or higher should have insulation tapered to it allowing complete drainage through weep holes of clamp device.



Flexible Rubber Expansion Coupling

### # 5 INSTALL STRAINER DOME

Attach Dome strainer to Clamping Ring using supplied bolts