

ALUMINUM INSULVENT

One Way & Two Way

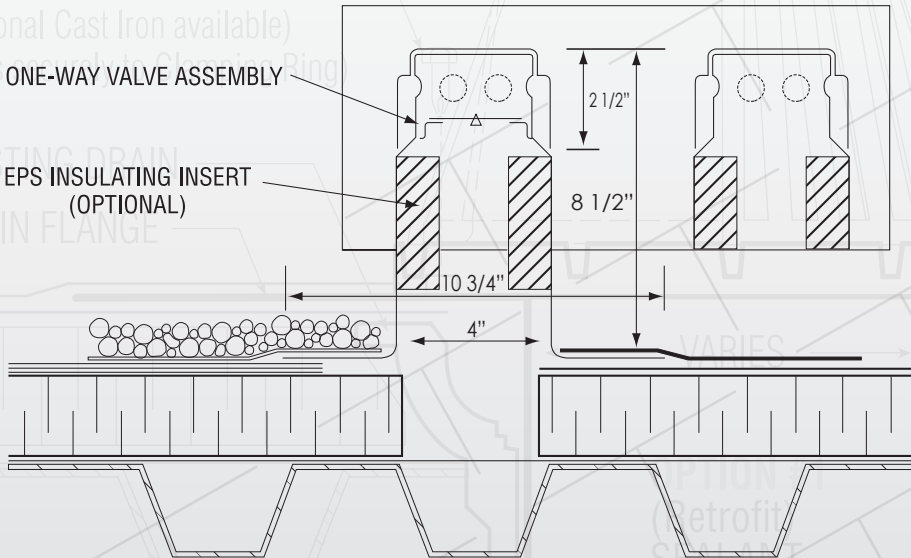
FEATURES:

- Provides pressure equalization in roof system
- Low cost, all-metal breather used for venting all types of insulation
- Spun from heavy gauge aluminum
- An extra wide base opening and security attached cap
- An optional foam insert is available to prevent moisture from condensing on the inside of the standpipe
- Simple & easy to install
- Unique cap design shields against entry of wind-blown rain or snow
- Flange may be coated with PVC or TPO.

WARNING
 Cancer and Reproductive Harm
www.P65Warnings.ca.gov
 PVC Only



ONE WAY TWO WAY



One Way
 Exclusive one-way valve design prevents moisture from re-entering roofing system

Two Way
 Allows for both exhaust and convective movement of air

Note: Some vents are supplied with caps unattached for ease of installation. Caps must be bonded to bases.

PRODUCT SPECIFICATIONS	OVERALL HEIGHT	BASE OPENING	BASE OPENING WITH INSULATION INSERT	FLANGE DIAMETER	FLANGE MATERIAL	RECOMMENDED SPACING
ALUMINUM INSULVENTS	8 1/2 IN. 216MM	4 IN. 102MM	3 IN. 76MM	10 3/4 IN. 273MM	ALUMINUM	1 PER 1000 SQ. FT. 93M ²