

RD-27 SCUPPER DRAINS

FEATURES:

- Designed for sidewall/through wall roof installation.
- Durable cast iron.
- Hub connection is reversible to accommodate 45° or 90° installation.
- Angled grate is standard. Flat grate is optional.
- Epoxy paint is standard. Nickel bronze finish is optional.

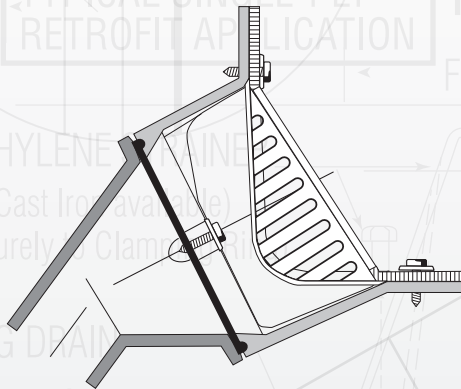
SPECIFICATIONS:

RD-27 Parapet (Scupper) Drain with oven cured epoxy coated cast iron body, flashing clamp and secured epoxy coated angled grate.



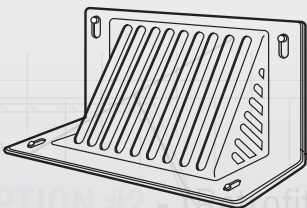
MODEL RD-27

A well constructed, heavy duty, versatile roof drain combining horizontal and vertical drainage with an interchangeable hub for flexible installation

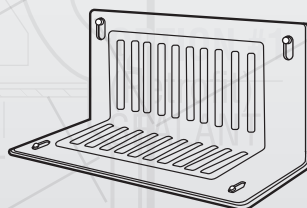


RD-27-45

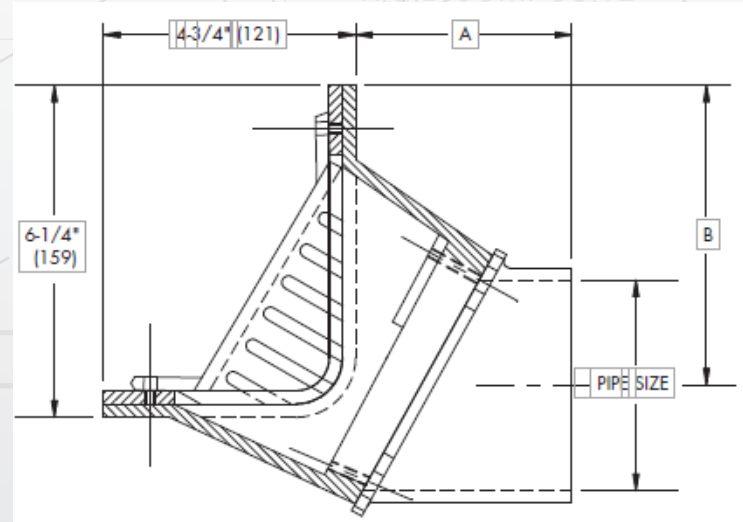
Outlet may be used at 45° or 90° by removing two bolts and changing outlet position one half rotation.



Standard Angled Grate



Optional Flat Grate



Pipe Size	NO HUB (MJ)		THREADED				
	A	B	A	B	C	D	E
2\"/>							