

MARA-FLEX

LEAD ROOF FLASHING

Quality roof flashings of heavy duty material to provide reliable long life performance. The standard rippled portion of the flashing outlet offers an accordion action to accommodate variable applications. Designed to meet building codes flashing requirements.



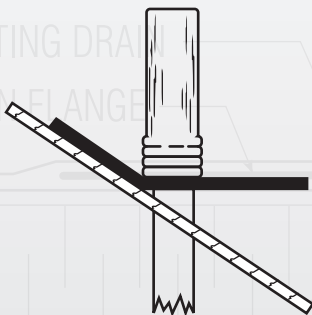
FEATURES:

- Commercial
- Industrial
- Residential
- Heavy Duty
- Durable/Flexible
- Adjustable Pitch

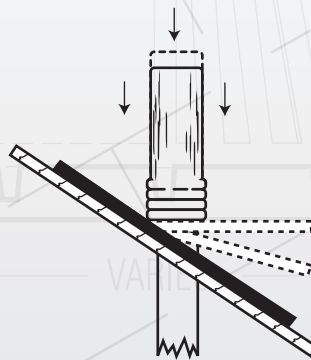
Size	Model	Description	Base	Qty/Ctn	Wt/Ctn
2" 51 mm	225	2.5 lbs Flashing	12"x12"	12	46 lbs. 21 kg
	240	4.0 lbs Flashing	12"x12"	12	73 lbs. 33 kg
3" 76 mm	325	2.5 lbs Flashing	12"x12"	6	27 lbs. 12 kg
	340	4.0 lbs Flashing	12"x12"	6	43 lbs. 20 kg
4" 102 mm	425	2.5 lbs Flashing	12"x12"	6	30 lbs. 14 kg
	440	4.0 lbs Flashing	12"x12"	6	48 lbs. 22 kg
5" 127 mm	525	2.5 lbs Flashing	12"x12"	6	43 lbs. 20 kg

INSTALLATION INFORMATION:

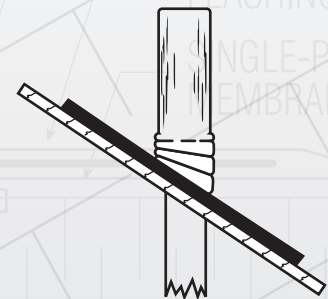
Designed to fit all pitches of roof. Simply determine the correct size to fit pipe diameter and MARA-FLEX flashings can be adapted easily. All sizes fit standard and heavy duty soil pipes.



Step 1 Install MARA-FLEX roof flashing over the vent pipe. Press down with enough force to fit the upper side to the roof pitch.



Step 2 Fit lower side to roof pitch by raising and dropping sharply several times until fit is correct.



Step 3 Ensure position is perpendicular and flange sits flush to roof.