

# RD-200-W

## SMALL AREA CAST IRON ROOF DRAIN WITH 4" INTERNAL OVERFLOW

RD-200-W epoxy coated cast iron overflow roof drain with flashing clamp with integral 4 in. (102mm) high internal standpipe, self-locking polyethylene dome (standard), and no hub (standard) outlet.



### FEATURES

- Engineered with cast iron for long life and durability
- Self-locking polyethylene dome (standard) and no hub (standard) outlet simplify installation and maintenance
- Flashing clamp and integral 4" internal standpipe
- Available in 2", 3" and 4"

### OPTIONS

- Push-on or threaded outlets
- Sump receiver
- Underdeck clamp
- Side outlet
- Adjustable extension flange
- PVC body

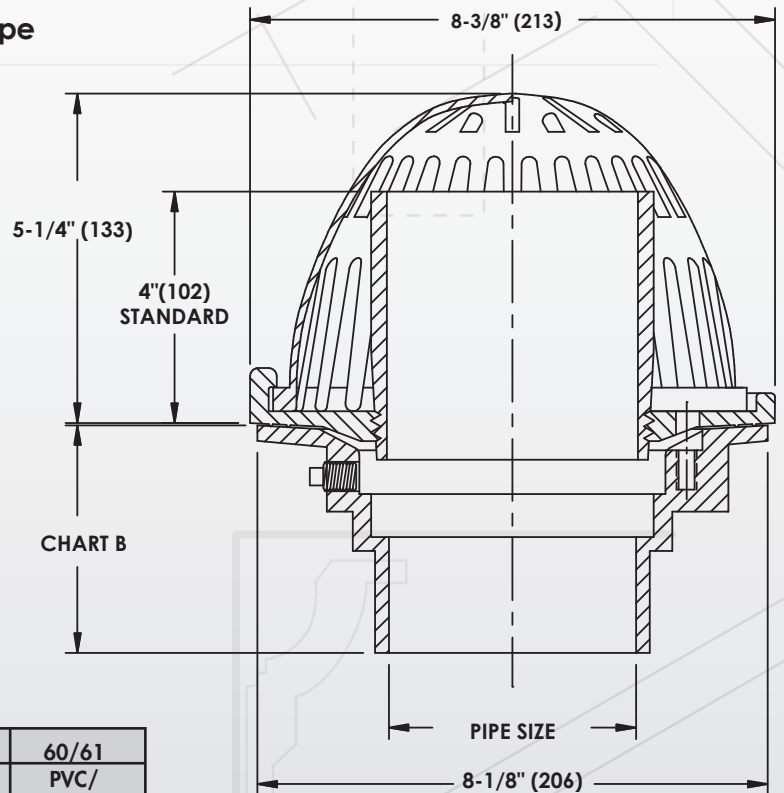


Chart B

Pipe Size	Std. No Hub	P Push On	T Female Thread	X Inside Caulk	60/61 PVC/ABS
2"(51)	3-5/8"(92)	4-1/4"(108)	4-1/4"(108)	4-1/4"(108)	3-3/4"(95)
3"(76)	3-5/8"(92)	4-1/4"(108)	4-1/4"(108)	4-1/4"(108)	3-5/8"(92)
4"(102)	3-5/8"(92)	4-1/4"(108)	4-1/4"(108)	4-1/4"(108)	3-7/8"(94)

Free Area Sq. In. 35  
**Deck opening 6-1/2" (165) with sump receiver 8" (203)**