

RD-200

SMALL AREA CAST IRON ROOF DRAIN

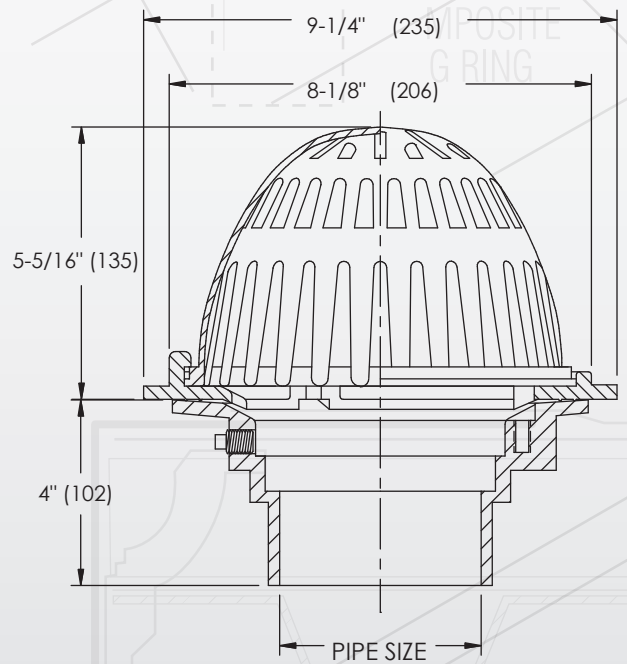
Small body epoxy coated cast iron roof drain with flashing clamp with integral gravel stop, self-locking polyethylene dome and no hub (standard) outlet.

FEATURES

- Engineered with cast iron for long life and durability
- Self-locking polyethylene dome (standard) and no hub (standard) outlet simplify installation and maintenance
- Flashing clamp and integral gravel stop ensure reliable drainage
- Available in 2", 3" and 4"

OPTIONS

- Push-on or threaded outlets
- Sump receiver
- Underdeck clamp
- Side outlet
- Adjustable extension flange
- PVC body



Free Area Sq. In. 35
Deck opening 6-1/2" (165) with sump receiver 8" (203)

| PIPE SIZE | NO HUB | PUSH ON | THREADED |
|-----------|---------------|---------------|----------------|
| 2" (50) | 4-5/8" (117) | 7-1/4" (184) | 11-5/16" (287) |
| 3" (76) | 4-3/32" (104) | 5-3/4" (146) | 9-13/16" (249) |
| 4" (102) | 4-1/32" (92) | 4-1/32" (102) | 8-3/32" (206) |