

# RD-280-SO

## FLANGED SIDE OUTLET CAST IRON ROOF DRAIN

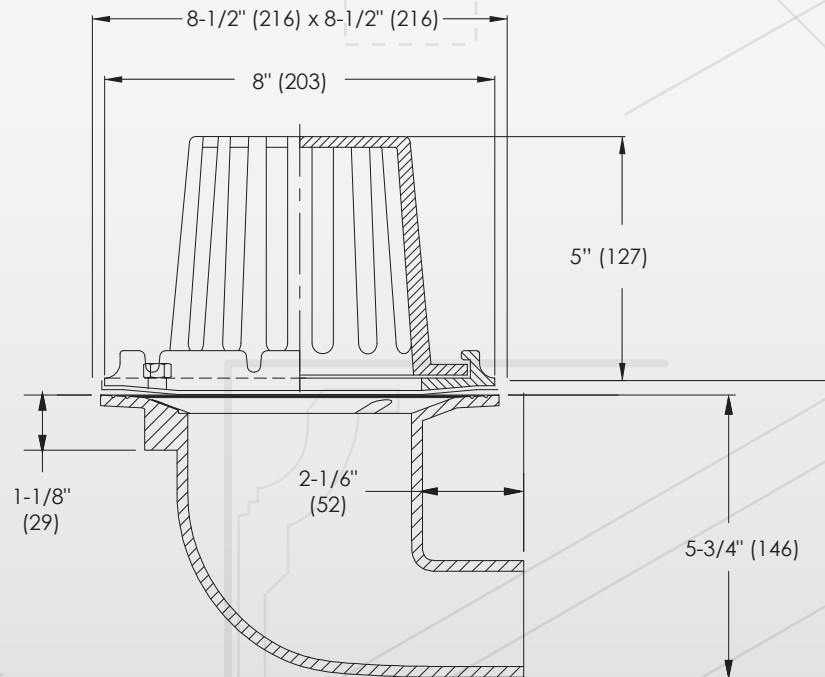
RD-280-SO cast iron side outlet roof drain with deck flange, drain body, flashing clamp with intergral gravel guard, self-locking cast iron dome, and no hub side outlet.

### FEATURES

- Engineered with cast iron for long life and durability
- Self-locking cast iron dome and no hub outlet simplify installation and maintenance
- Deck flange and flashing clamps with integral gravel guard help ensure reliable drainage

### OPTIONS

- Vandal proof strainer
- 2" external water dam



Free Area Sq. In.	<b>Deck opening</b> <b>8-3/8\" (213)</b>
35	